



WHITE PEARL™

BY OSSEUS™

PRECISE PLACEMENT

Patented cannulated design allows for quick and accurate preliminary fixation at midline of plate.

EXTREME ANGULATION

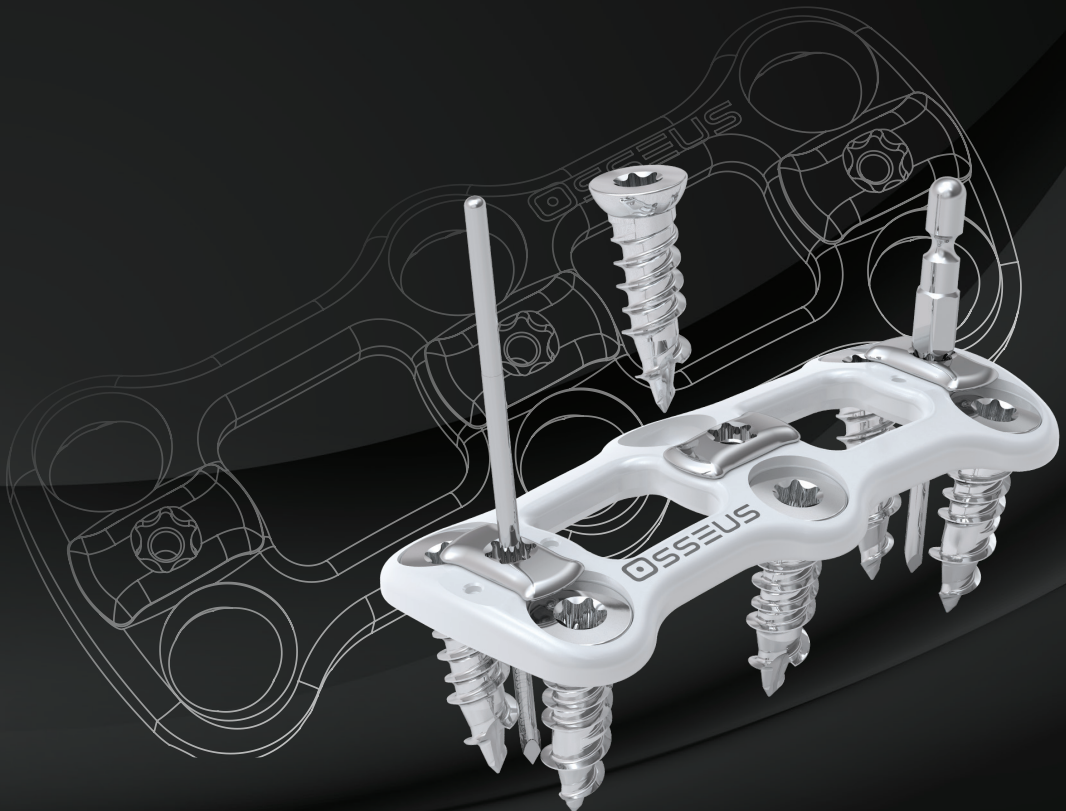
System framework offering $\pm 20^\circ$ cephalad / caudal angulation allows for maximum flexibility on challenging alignments.

ROBUST LOCKING

Manual, one-step locking rivets provide a visual, tactile, and audible confirmation that screws have been locked.

LOW PROFILE

Ultra-thin plate designed for decreased anatomic disruption and increased disc space visibility.





The White Pearl ACP is a pioneering cervical spine fixation system that is ideal for the treatment of degenerative or traumatic cervical disorders. The plate's design allows for quick and accurate preliminary fixation as well as maximum screw angulation to accommodate challenging anatomy. Numerous screw options accommodate all preferences and are backed up by robust manual locking rivets to prevent screw expulsion.

TECHNICAL SPECIFICATIONS

WHITE PEARL SCREW SIZES

The following specifications represent the options for both cortical and standard screw types.

	Ø3.75mm SELF-TAPPING		Ø4.25mm SELF-TAPPING	
	FIXED	VARIABLE	FIXED	VARIABLE
	10mm	10mm	10mm	10mm
	12mm	12mm	12mm	12mm
	14mm	14mm	14mm	14mm
	16mm	16mm	16mm	16mm
	18mm	18mm	18mm	18mm
	20mm	20mm	20mm	20mm

	Ø3.75mm SELF-DRILLING	
	FIXED	VARIABLE
	10mm	10mm
	12mm	12mm
	14mm	14mm
	16mm	16mm
	18mm	18mm
	20mm	20mm

WHITE PEARL PLATE SIZES

	1-LVL	2-LVL	3-LVL	4-LVL	5-LVL
		8.5mm	24mm	39mm	60mm
	10mm	26mm	42mm	64mm	80mm
	12mm	28mm	45mm	68mm	85mm
	14mm	30mm	48mm	72mm	90mm
	16mm	32mm	51mm	76mm	95mm
	18mm	34mm	54mm	80mm	100mm
	20mm	37mm	57mm	84mm	105mm
	22mm	40mm	60mm	—	—
	24mm	43mm	63mm	—	—
	26mm	46mm	66mm	—	—
	—	—	69mm	—	—